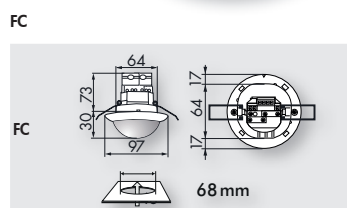


## PD4-M-DUO-DALI/DSI-FC

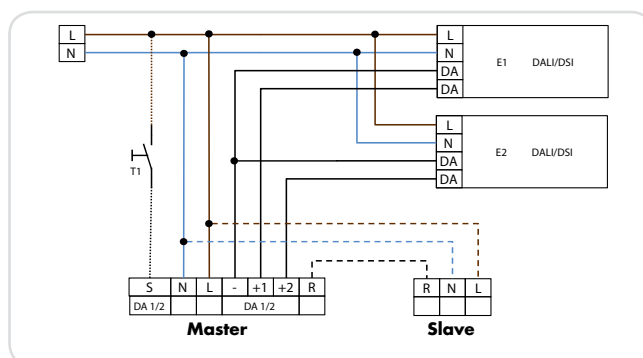
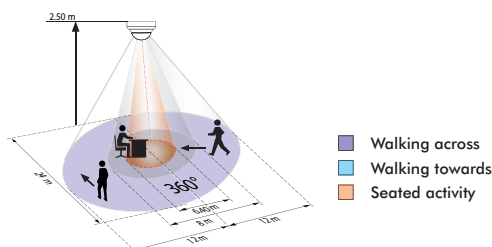


### **i** PRODUCT INFORMATION

- Occupancy detector for two separate lighting groups, for day-light-dependent lighting control
- One common detection area
- Two independent, movable light sensors
- DALI/DSI interface for control of digital dimmable electronic ballasts as a group
- Can be switched between DALI and DSI modes with remote control and Dip switches.
- Installation as Master
- Detection area can be extended with Slave units
- Additional functions can be set via optional remote control
- Push button manual switching and dimming available

### ■ TECHNICAL DATA

- ⚡ 110-240 V AC , 50 / 60 Hz
- ⏻ ca. 1W
- ☂ 360°
- ⊘ 24 m across
- ⊘ 8 m towards
- ⊘ 6,4 m seated
- IP IP20 / Class II
- 🌡 -25 °C to +50 °C
- 📺 Housing UV- and shock resistant polycarbonate
- 📡 IR-PD-DALI, IR-PD-DALI-Mini
- Channel 1 and Channel 2 (control the lighting)**
- 📡 DALI max. 25 DALI/DSI-EB each channel
- 🕒 1 - 30 min
- 🌙 10 - 2000 Lux



Description	Colour	Part number
PD4-M-DUO-DALI/DSI-FC	white	92276
<b>Accessory (optional)</b>		
IR-PD-DALI	grey	92094
IR-PD-DALI-Mini	grey	92112
Wire basket BSK (Ø 200 x 100)	white	92199