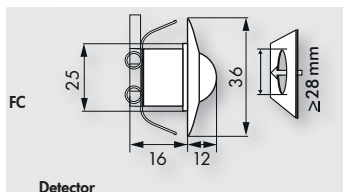


PD9-M-1C-FC



„Size comparison“

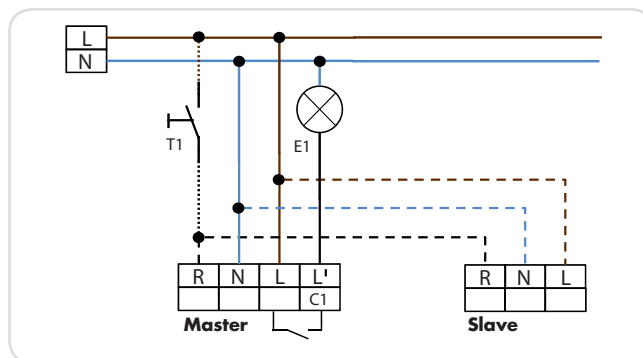
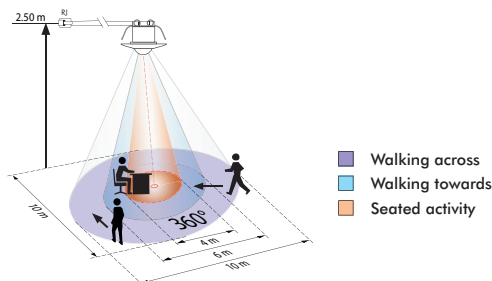


PRODUCT INFORMATION

- Mini-occupancy detector, Master version
- Installation as Master
- One switching channel for operating the light
- Detection area can be extended with Slave units
- Push button manual switching available
- Spring clips for quick and easy installation in suspended ceilings and light fittings
- Simple operation with remote control (required)
- Power unit passes through hole in ceiling for sensor
- Includes 45mm cover ring and blinds

TECHNICAL DATA

- ~ 110-240 V AC , 50 / 60 Hz
- ☂ 360°
- Ø 10 m across
- Ø 6 m towards
- Ø 4 m seated
- IP FC= IP20 / Class II
- 🌡 -25 °C to +50 °C
- 🛡 Housing UV- and shock resistant polycarbonate
- 📏 45 cm (screened)
- 📶 IR-PD-Mini, IR-PD-1C
- Channel 1 (control the lighting)**
- ⚡ 2300 W, $\cos \varphi = 1$
1150 VA, $\cos \varphi = 0.5$
- 🕒 5 - 30 min or pulse
- 🌙☀ 10 - 2000 Lux



Description	Colour	Part number
PD9-M-1C-FC	white	92900
PD9-M-1C-FC	silver	92901
Accessory (optional)		
IR-PD-1C (necessary)	grey	92520
IR-PD-Mini	grey	92159
Cover ring for PD9 (Ø 36 mm)	white/ silver/ anthracite	92238/ 92237/ 92235
Cover ring for PD9 (Ø 45 mm)	white/ silver	92327/ 92346