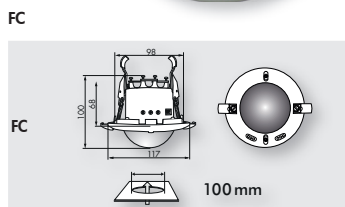


## PD4-M-TRIO-C-3P-FC

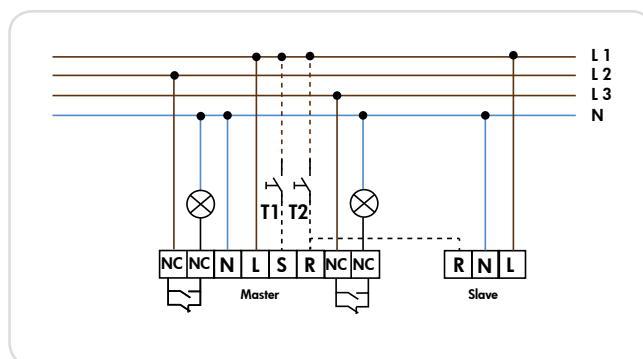
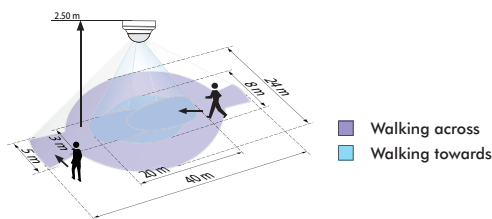


### **i** PRODUCT INFORMATION

- Occupancy detector connectable to three different phases
- One phase for 110-240 V operating voltage
- Two channels for switching light
- Switching channels close if operating voltage fails, the illumination is kept on as long as both phases are supplied with power
- Installation as Master
- Detection area can be extended with Slave units
- Two push button manual switching available
- Additional functions can be set via optional remote control

### ■ TECHNICAL DATA

- ⚡ 110 - 240 V AC , 50 / 60 Hz
- ⏻ ca. 0.4W
- ☂ 360°
- ⏏ Ø 40 m across  
Ø 20 m towards
- ⚠ Mandatory mounting height  
2.4 m - 2.6 m
- IP IP20 / Class II
- 🌡 -25 °C to +50 °C
- 📺 Housing UV- and shock resistant polycarbonate
- 📡 IR-PD-Mini, IR-PD-1C
- Channel 1 to Channel 2  
(control the lighting potential free)**
- ⚡ 2300 W,  $\cos \varphi = 1$   
1150 VA,  $\cos \varphi = 0.5$
- 🕒 15 s - 16 min or pulse
- 🌙☀ 10 - 2000 Lux



Description	Colour	Part number
PD4-M-TRIO-C-3P-FC	white	92746
<b>Accessory (optional)</b>		
IR-PD-1C	grey	92520
IR-PD-Mini	grey	92159
Wire basket BSK (Ø 200 x 100)	white	92199