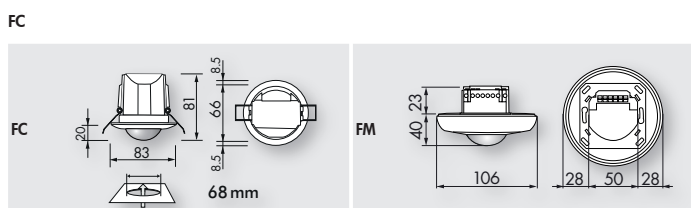


PD3N-2C-FC/-FM

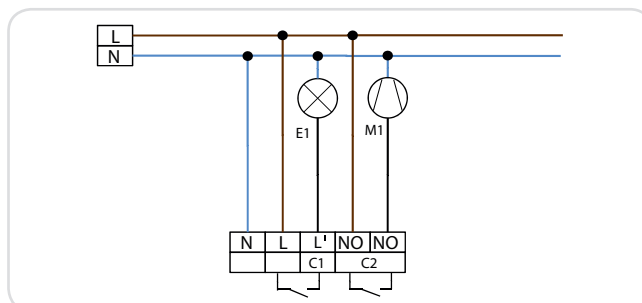
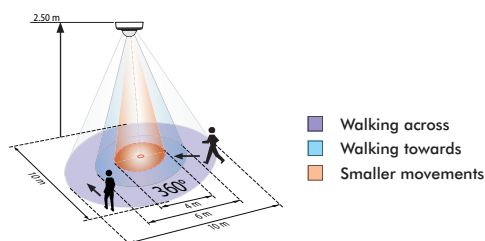


i PRODUCT INFORMATION

- Remote controlled ceiling motion detector
- One switching channel for operating the light
- One potential-free contact for HVAC

■ TECHNICAL DATA

- ⚡ 110-240 V AC , 50 / 60 Hz
- ⏻ ca. 0.5W
- 🌀 360°
- ⊘ 10 m across
- ⊘ 6 m towards
- ⊘ 4 m small movements
- IP FC= IP23 FM= IP20 / Class II
- 🌡️ -25 °C to +50 °C
- 📦 Housing UV- and shock resistant polycarbonate
- 📡 IR-PD-Mini, IR-PD3N-2C
- Channel 1 (control the lighting)**
- 💡 2300 W, $\cos \varphi = 1$
- ⌚ 1150 VA, $\cos \varphi = 0.5$
- ⌚ 30 s - 30 min pulse
- 🌙 10 - 2000 Lux
- Channel 2 (control HVAC potential free)**
- ⚡ Dry contact type NO 3A, 230 V, $\cos \varphi = 1$
- ⌚ 5 - 120 min



| Description | Colour | Part number |
|-------------------------------|--------|-------------|
| PD3N-2C-FC | white | 92198 |
| PD3N-2C-FM | white | 92188 |
| Accessory (optional) | | |
| IR-PD3N-2C | grey | 92115 |
| IR-PD-Mini | grey | 92159 |
| Wire basket BSK (⊘ 200 x 100) | white | 92199 |