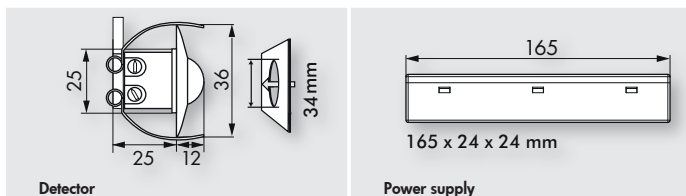


## PD9-1C-12-48V-FC



Size comparison

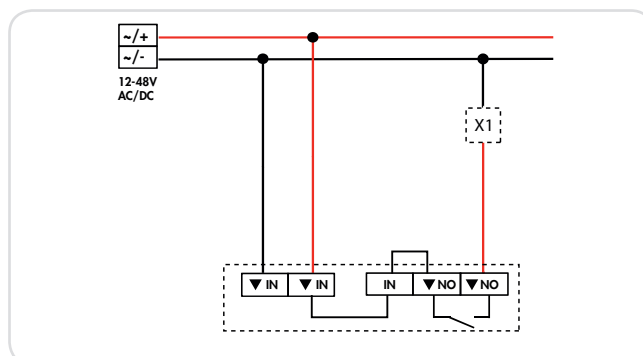
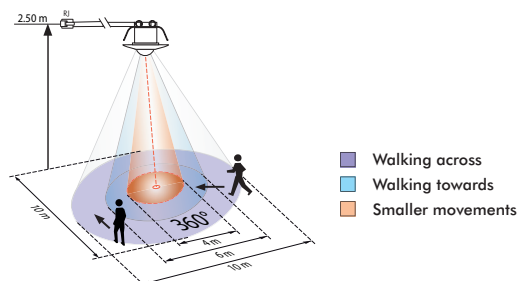


### **i** PRODUCT INFORMATION

- Mini-motion detector with operating voltage 12-48 V
- One switching channel for operating the light
- Easy installation on unit
- Power unit passes through hole in ceiling for sensor
- Spring clips for quick and easy installation in suspended ceilings and light fittings
- Includes 45mm cover ring and blinds

### ■ TECHNICAL DATA

- ⚡ 12 - 48 V AC, DC
- ⏻ < 0.25W
- ☂ 360°
- ⊘ 10 m across
- ⊘ 6 m towards
- ⊘ 4 m seated
- IP IP20 / Class II
- 🌡 -25°C to +50°C
- 📦 Housing UV- and shock resistant polycarbonate
- Channel 1**  
(control the lighting potential free)
- ⚡ 1000 W,  $\cos \varphi = 1$
- 🕒 30 s - 30 min pulse, test
- ☀ 10 - 2000 Lux



| Description                  | Colour                    | Part number         |
|------------------------------|---------------------------|---------------------|
| PD9-1C-12-48V-FC             | white                     | 92985               |
| <b>Accessory (optional)</b>  |                           |                     |
| Cover ring for PD9 (Ø 36 mm) | white/ silver/ anthracite | 92238/ 92237/ 92235 |
| Cover ring for PD9 (Ø 45 mm) | white/ silver             | 92327/ 92346        |