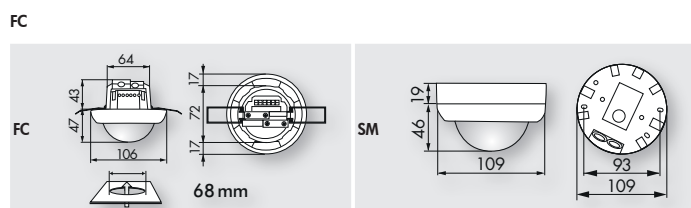


PD4N-1C-C-SM/-FC

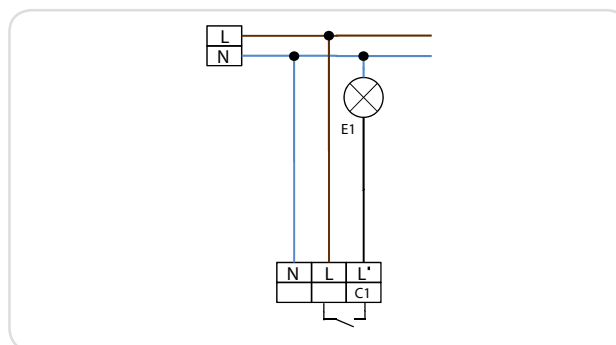
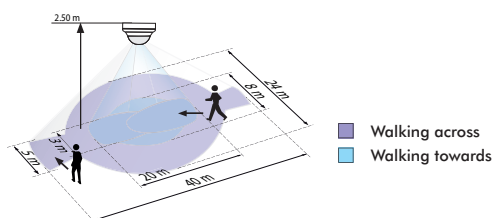


i PRODUCT INFORMATION

- Ceiling motion detector designed for corridors
- One switching channel for operating the light
- Special optical system for detection of even the smallest movements
- Additional functions can be set via optional remote control

■ TECHNICAL DATA

- 110-240 V AC , 50 / 60 Hz
- ca. 0.5W
- 360°
- Ø 40 m across
Ø 20 m towards
- Mandatory mounting height
2.4 m - 2.6 m
- SM= IP44 FC= IP23 / Class II
- 25 °C to +50 °C
- Housing UV- and shock resistant polycarbonate
- IR-PD3N, IR-PD-Mini
- Channel 1 (control the lighting)**
- 2300 W, $\cos \varphi = 1$
1150 VA, $\cos \varphi = 0.5$
- 30 s - 30 min or pulse
- 10 - 2000 Lux



| Description | Colour | Part number |
|-------------------------------|--------|-------------|
| PD4N-1C-C-FC | white | 92274 |
| PD4N-1C-C-SM | white | 92270 |
| Accessory (optional) | | |
| IR-PD3N | grey | 92105 |
| IR-PD-Mini | grey | 92159 |
| Wall bracket for PD4-SM | white | 92441 |
| Wire basket BSK (Ø 200 x 100) | white | 92199 |