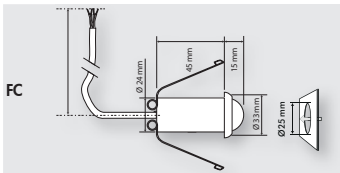


PICO-M-1C-FC



„Size comparison“

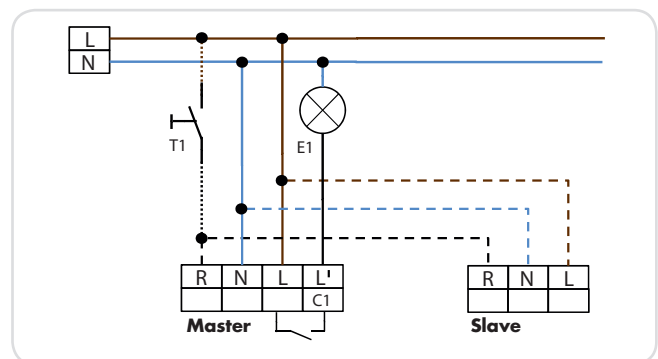
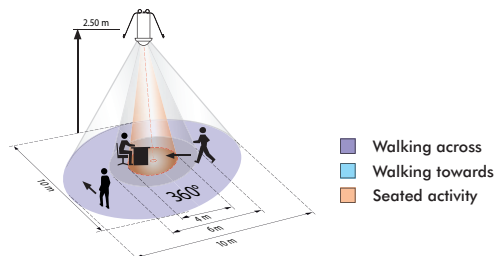


PRODUCT INFORMATION

- Mini-occupancy detector, no additional power unit, suitable for high-humidity locations
- One switching channel for operating the light
- Installation as Master
- Mounting with clip ring (included) for lights or with spring clips for suspended ceilings
- Simple operation with remote control (required)
- Detection area can be extended with Slave units

TECHNICAL DATA

- 110-240 V AC, 50 / 60 Hz
- 360°
- Ø 10 m across
- Ø 6 m towards
- Ø 4 m seated
- FC= IP65 / Class II
- 25 °C to +50 °C
- Housing UV- and shock resistant polycarbonate
- 150 cm
- IR-PD-1C
- Channel 1 (control the lighting)**
- 2300 W, $\cos \varphi = 1$
- 1150 VA, $\cos \varphi = 0.5$
- 5 - 30 min or pulse
- 10 - 2000 Lux



| Description | Colour | Part number |
|-----------------------------|--------|-------------|
| PICO-M-1C-FC | white | 92712 |
| Accessory (optional) | | |
| IR-PD-1C (necessary) | grey | 92520 |