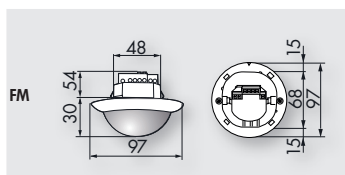
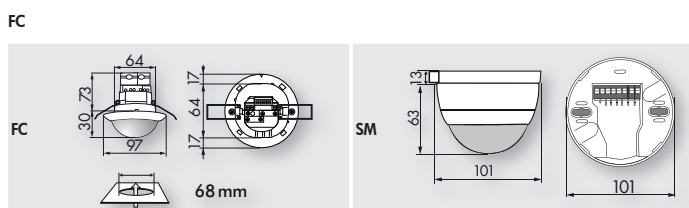


## PD4-M-DIM-SM/-FC/-FM

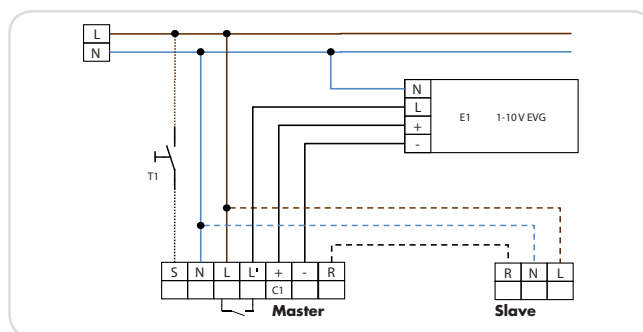
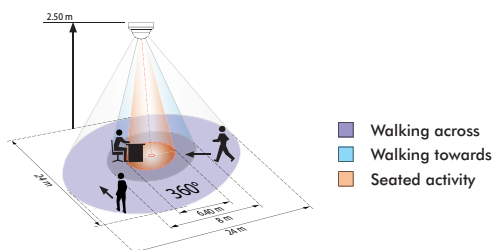


### PRODUCT INFORMATION

- Occupancy detector with extended detection area, daylight-dependent lighting control
- 1-10 V interface for control of dimmable electronic ballast
- One Channel for light dimming and switching
- Push button manual switching and dimming available
- Installation as Master
- Detection area can be extended with Slave units
- Additional functions can be set via optional remote control

### TECHNICAL DATA

- 110-240 V AC , 50 / 60 Hz
- ca. 0.5W
- 360°
- Ø 24 m across
- Ø 8 m towards
- Ø 6.4 m seated
- SM= IP54 FC= IP20 FM= IP20 / Class II
- 25 °C to +50 °C
- Housing UV- and shock resistant polycarbonate
- IR-PDim, IR-PD-DIM-Mini
- Channel 1 (control the lighting)**
- 2300 W,  $\cos \varphi = 1$
- 1150 VA,  $\cos \varphi = 0.5$
- 1 - 30 min
- 10 - 2000 Lux
- 1-10 V DC, max. 50 EB's



Description	Colour	Part number
PD4-M-DIM-FC	white	92247
PD4-M-DIM-SM	white	92147
PD4-M-DIM-FM	white	92248
<b>Accessory (optional)</b>		
IR-PDim	grey	92200
IR-PD-DIM-Mini	grey	92098
Wire basket BSK (Ø 200 x 100)	white	92199