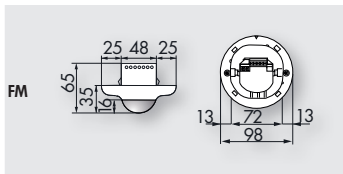
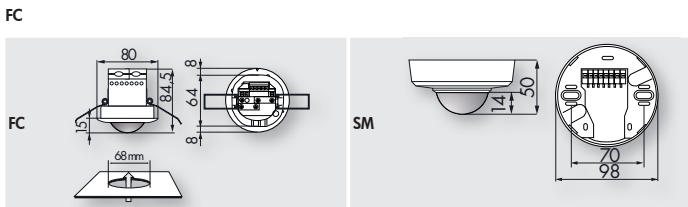
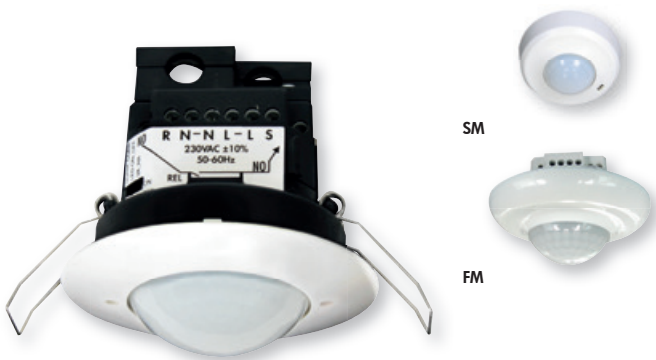


## PD2-M-1C-SM/-FC/-FM

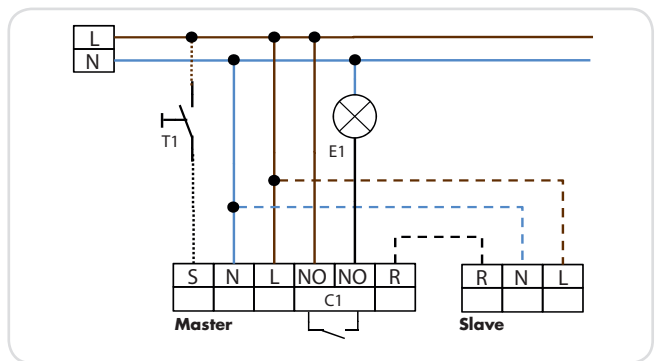
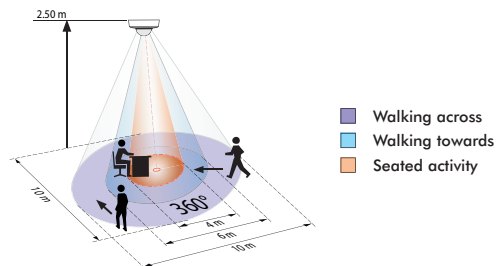


### **i** PRODUCT INFORMATION

- Occupancy detector with potential-free contact
- Installation as Master
- One switching channel for operating the light
- Detection area can be extended with Slave units
- Push button manual switching available
- Additional functions can be set via optional remote control

### ■ TECHNICAL DATA

- 110-240 V AC , 50 / 60 Hz
- 360°
- Ø 10 m across
- Ø 6 m towards
- Ø 4 m seated
- IP □ SM= IP20 FC= IP20 FM= IP20 / Class II
- 25 °C to +50 °C
- Housing UV- and shock resistant polycarbonate
- IR-PD-1C, IR-PD-Mini
- Channel 1**  
**(control the lighting potential free)**
- 2300 W, cos φ = 1
- 1150 VA, cos φ = 0.5
- 15 s - 30 min or pulse
- 10 - 2000 Lux



Description	Colour	Part number
PD2-M-1C-FC	white	92565
PD2-M-1C-SM	white	92550
PD2-M-1C-FM	white	92555

### Accessory (optional)

IR-PD-1C	grey	92520
IR-PD-Mini	grey	92159
Wire basket BSK (Ø 200 x 100)	white	92199
Socket IP54 for PD2- and PD4-SM	white	92161