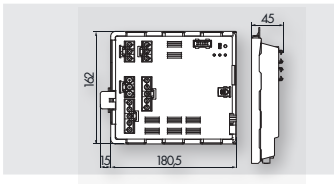


KNX Room Controller

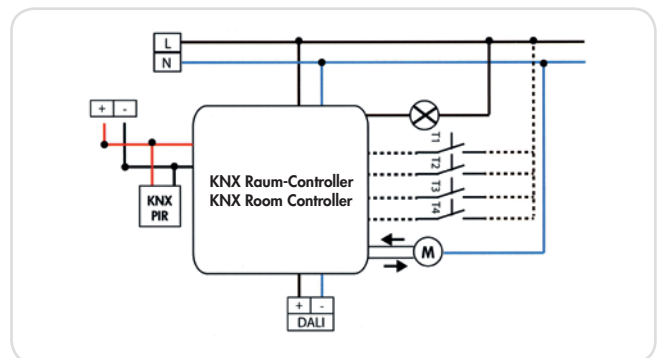


i PRODUCT INFORMATION

- Pre-wired control unit for KNX occupancy detectors and other loads for being mounted in a false ceiling
- Pre-wiring allows for cost savings and prevents erroneous installations
- Basically, the RCT is the power element of the occupancy detector without the sensor unit
- GST18 plugs and sockets
- Gateway DALI/KNX for connecting up to 45 DALI lights
- The integrated service switch allows for using (basic functions) the connected loads even without ETS
- All B.E.G. KNX motion and occupancy detectors can be combined with the RCT

■ TECHNICAL DATA

- ~ 230 V AC
- IP IP20 / Class I
- ° -5 °C to +45 °C
- Housing UV- and shock resistant polycarbonate
- Pollution degree 2
- ⚡ Illumination: μ 16 A
Blind/roller shutter: μ 16 A



Description	Colour	Part number
KNX RCT	white	92979