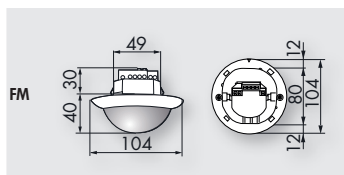
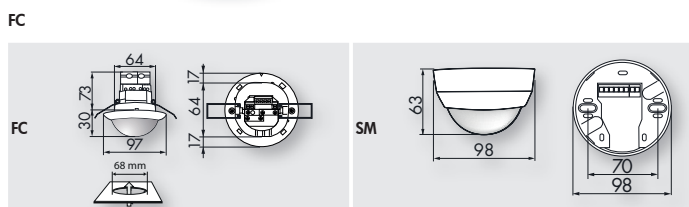


PD4-M-1C-SM/-FC/-FM

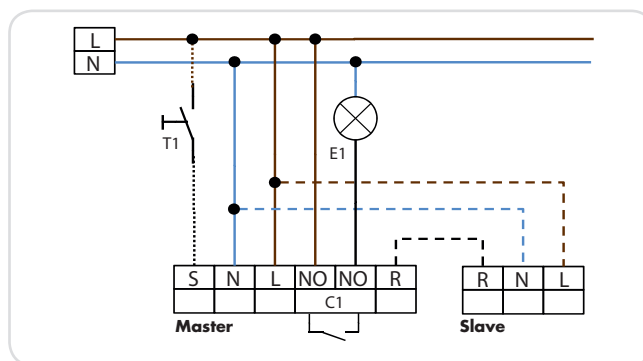
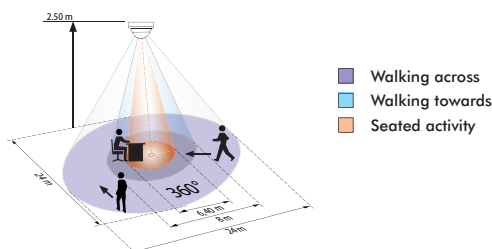


PRODUCT INFORMATION

- Occupancy detector with extended detection area
- One potential-free contact
- Installation as Master
- One switching channel for operating the light
- Detection area can be extended with Slave units
- Push button manual switching available
- Additional functions can be set via optional remote control

TECHNICAL DATA

- ~ 110-240 V AC, 50 / 60 Hz
- ☂ 360°
- Ø 24 m across
- Ø 8 m towards
- Ø 6.4 m seated
- IP □ SM= IP20 FC= IP20 FM= IP20 / Class II
- 🌡 -25 °C to +50 °C
- 📦 Housing UV- and shock resistant polycarbonate
- 📡 IR-PD-1C, IR-PD-Mini
- Channel 1**
(control the lighting potential free)
- ⚡ 2300 W, $\cos \varphi = 1$
- ⚡ 1150 VA, $\cos \varphi = 0.5$
- 🕒 15 s - 30 min or pulse
- 🌞 10 - 2000 Lux



Description	Colour	Part number
PD4-M-1C-FC	white	92585
PD4-M-1C-SM	white	92580
PD4-M-1C-FM	white	92575
Accessory (optional)		
IR-PD-1C	grey	92520
IR-PD-Mini	grey	92159
Wire basket BSK (Ø 200 x 100)	white	92199
Socket IP54 for PD2- and PD4-SM	white	92161
Socket IP65 for PD4-AP	white	92375