

LUXOMAT® HF-H-MD1 Standard



Radar



TECHNICAL DATA

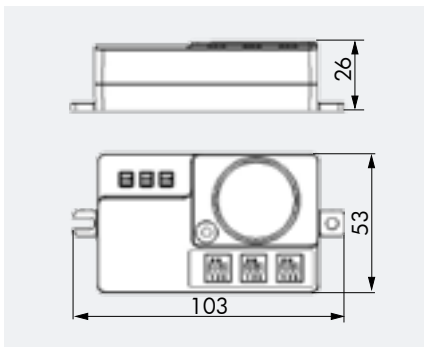
- 230V~ ±10%
- 360°
- max. Ø 2 - 11 m
- IP20 / Class II / C€
- H 26 x W 103 x T 53 mm
- 35°C to +70°C
- Housing UV- and shock-resistant Polycarbonate

Channel 1 (Control the lighting)

- 1000 W, cosφ = 1
- 5 sec. - 25 min.
- 5 - 50 Lux
- 5.8 GHz, <10 mW

PRODUCT INFORMATION

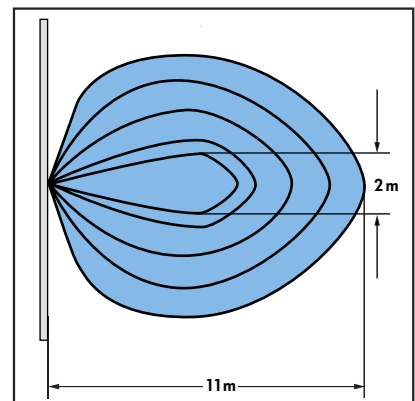
- High-frequency motion detectors for invisible light switching specifically for flush mounting
- No light switches needed
- 360° resp. 160° detection area depending of the kind of installation for ceiling or wall
- Range, twilight value and follow up time are adjustable with DIP switches
- HF technology: 5.8 GHz - reacts to the smallest motion, independently of temperature
- Extremely short activation time
- Light only when needed
- **Typical applications:** Installation in light fittings, dry lining boxes or behind wall or ceiling coverings with sufficient light detection for the light sensor



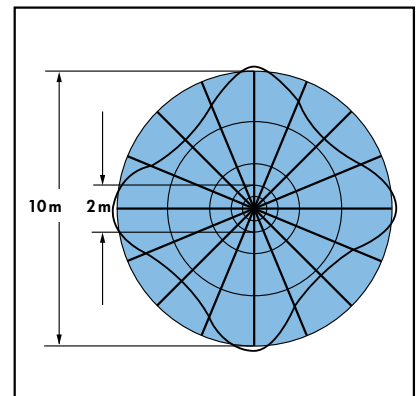
NEW!

- ▶ Almost the same range of frequency as in W-LAN n (5 GHz) is used. The transmitter output of the sensor is less than 10 mW, which is around 100 times less than the transmitter output of a mobile phone (GSM) or microwave.
- ▶ We recommend you to test your application area to check for external influences on the detection area.
- ▶ HF technology: detection through walls possible
- ▶ Please pay attention to the mounting informations in the manual.
- ▶ Information about our HF lights can be found in the lighting catalogue.

Wall mounting (Mounting height 2.20 m)



Ceiling mounting (Mounting height 2.50 m)



■ Walking across or towards
The range depends on size and speed of the object.

INDOOR MOTION DETECTORS

Description	Colour	Part number
HF-H-MD1 Standard	white	94431