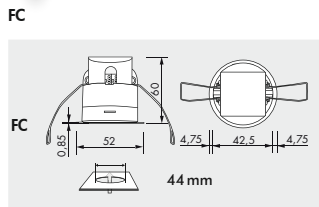


LUXOMAT® PD11-M-1C-FLAT-FC

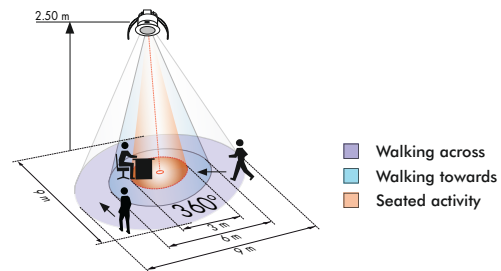


■ TECHNICAL DATA

- 110-240 V AC , 50 / 60 Hz
- 360°
- Ø 9 m across
- Ø 6 m towards
- Ø 3 m seated
- IP20 / Class II
- 25 °C to +50 °C
- Housing UV- and shock resistant polycarbonate
- IR-PD-1C

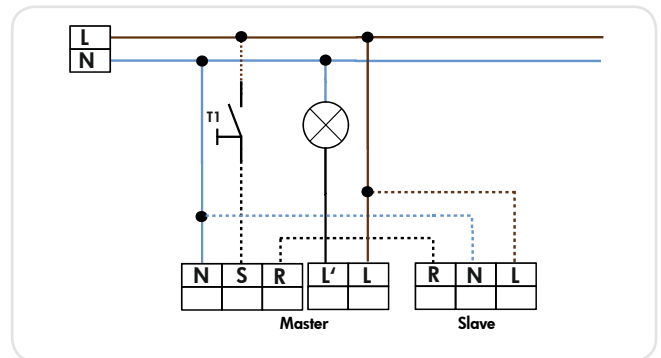
Channel 1 (control the lighting)

- 2300 W, $\cos \varphi = 1$
- 1150 VA, $\cos \varphi = 0.5$
- 5 - 30 min with remote control



PRODUCT INFORMATION

- Particularly flat occupancy detector as slave version for being connected to a Master device
- One switching channel for operating the light
- Visible portion when built into ceiling: H 0.85 mm
- Installation as Master
- Detection area can be extended with Slave units
- Spring clips for quick and easy installation in suspended ceilings and light fittings
- Simple operation with remote control (required)



Description	Colour	Part number
PD11-M-1C-FLAT-FC	white	92583
Accessory (optional)		
IR-PD-1C (necessary)	grey	92520
Cover ring (included)	black	92537
Cover ring	different colours	on request