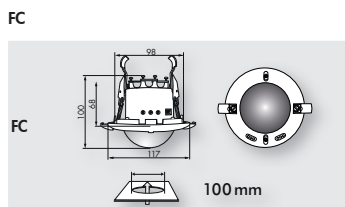


## PD4-M-2C-DS-FC

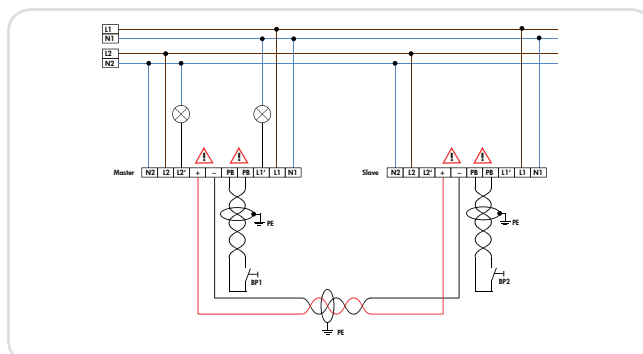
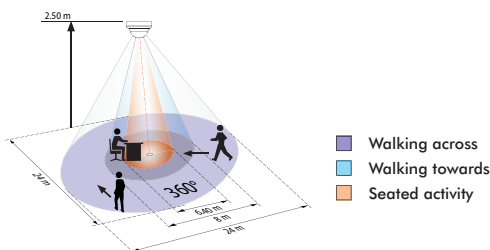


### **i** PRODUCT INFORMATION

- Occupancy detector connectable to two different supplies
- 2 switching channels for switching light: the illumination system can be divided into to separate groups being electrically isolated.
- Installation as Master
- Extension of the detection area with one additional PD4-M-2C-DS-FC configured as slave
- Manual switching possible via a shared pushbutton.
- Additional functions can be set via optional remote control

### ■ TECHNICAL DATA

- ⚡ 110-240 V AC , 50 / 60 Hz
- ⏻ < 1W
- ☂ 360°
- ⊘ 24 m across
- ⊘ 8 m towards
- ⊘ 6,4 m seated
- IP IP20 / Class II
- 🌡 -25 °C to +50 °C
- 🛡 Housing UV- and shock resistant polycarbonate
- 📡 IR-PD-1C, IR-PD-Mini
- Channel 1 and Channel 2 (control the lighting)**
- ⚡ 2300 W,  $\cos \varphi = 1$
- 🕒 15 s - 30 min
- 🌙 10 - 2000 Lux



Description	Colour	Part number
PD4-M-2C-DS-FC	white	92760
<b>Accessory (optional)</b>		
IR-PD-1C	grey	92520
IR-PD-Mini	grey	92159
Wire basket BSK (Ø 200 x 100)	white	92199