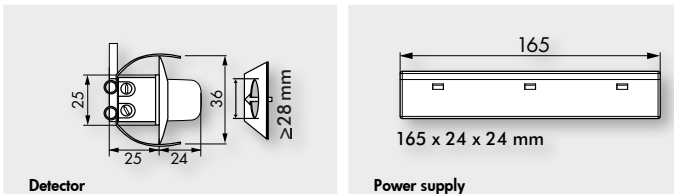


PD9-M-DIM-GH-FC



'Size comparison'

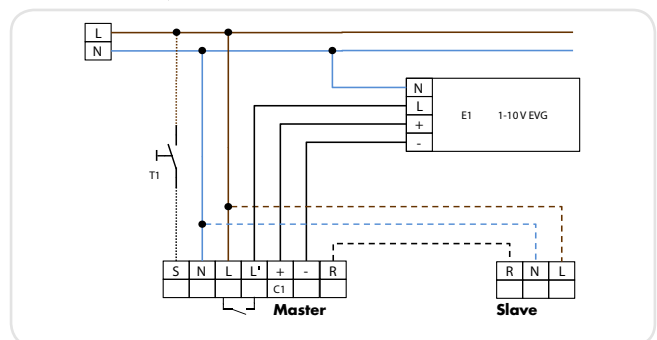
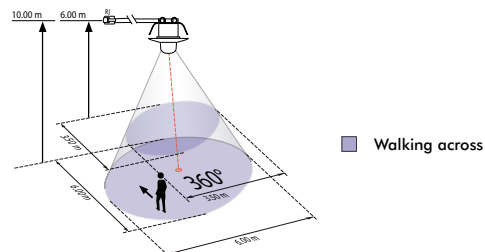


■ TECHNICAL DATA

- 110-240 V AC , 50 / 60 Hz
- 360°
- max. Ø 6 m
- Light control feasible up to 5 m
- FC= IP20 / Class II
- 25 °C to +50 °C
- Housing UV- and shock resistant polycarbonate
- 45 cm (screened)
- IR-PDim, IR-PD-DIM-Mini
- Channel 1 (control the lighting)**
- 2300 W, cos φ = 1
1150 VA, cos φ = 0.5
- 1 - 30 min
- 10 - 2000 Lux
- 1-10 V DC, max. 50 EB's

PRODUCT INFORMATION

- Mini occupancy detector for high-bay applications, for daylight-dependent lighting control
- 1-10 V interface for control of dimmable electronic ballast
- One Channel for light dimming and switching
- Push button manual switching and dimming available
- Simple operation with remote control (required)
- Detection area can be extended with Slave units
- Power unit passes through hole in ceiling for sensor
- Includes 45mm cover ring and blinds



Description	Colour	Part number
PD9-M-DIM-GH-FC	white	92924
PD9-M-DIM-GH-FC	silver	92927
Accessory (optional)		
IR-PDim (necessary)	grey	92200
IR-PD-DIM-Mini	grey	92098
Cover ring for PD9 (Ø 36 mm)	white/ silver/ anthracite	92238/ 92237/ 92235
Cover ring for PD9 (Ø 45 mm)	white/ silver	92327/ 92346