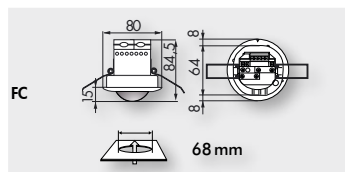


PD2-M-DALI/DSI-HVAC-FC



FC



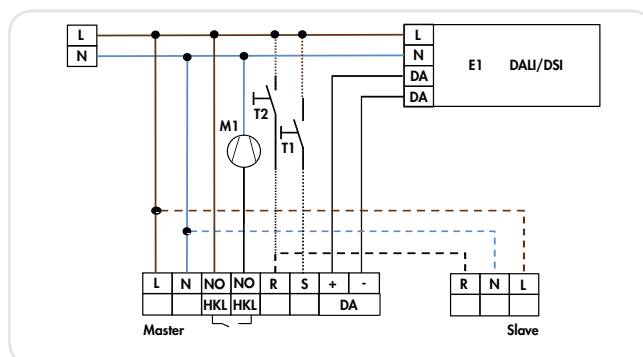
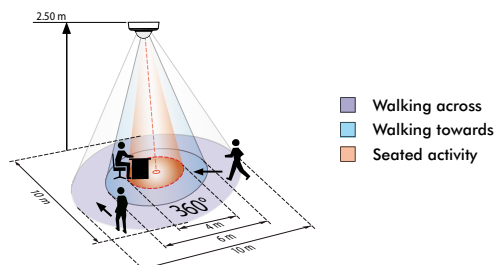
FC

i PRODUCT INFORMATION

- Occupancy detector for daylight-dependent lighting control
- DALI/DSI interface for control of digital dimmable electronic ballasts as a group
- One potential-free contact for HVAC
- Can be switched between DALI and DSI modes with remote control and Dip switches.
- Installation as Master
- Detection area can be extended with Slave units
- Push button manual switching and dimming available
- Additional functions can be set via optional remote control

■ TECHNICAL DATA

- ⚡ 110-240 V AC , 50 / 60 Hz
- ☀️ 360°
- 📏 Ø 10 m across
Ø 6 m towards
Ø 4 m seated
- 🛡️ IP20 / Class II
- 🌡️ -25 °C to +50 °C
- 📦 Housing UV- and shock resistant polycarbonate
- 📶 IR-PD-DALI-1C, IR-PD-DALI-Mini
- Channel 1 (control the lighting)**
- 📡 DALI max. 50 DALI/DSI EB's
- 🕒 1 - 30 min
- 🌙 10 - 2000 Lux
- Channel 2 (control HVAC potential free)**
- ⚡ 2300 W, cos φ = 1
1150 VA, cos φ = 0.5
- 🕒 Alarm pulse, pulse or 5 - 120 min



Description	Colour	Part number
PD2-M-DALI/DSI-HVAC-FC	white	92698
Accessory (optional)		
IR-PD-DALI-1C	grey	92116
IR-PD-DALI-Mini	grey	92112
Wire basket BSK (Ø 200 x 100)	white	92199