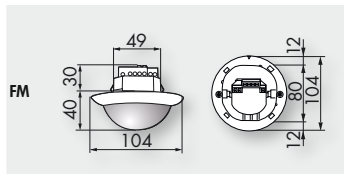
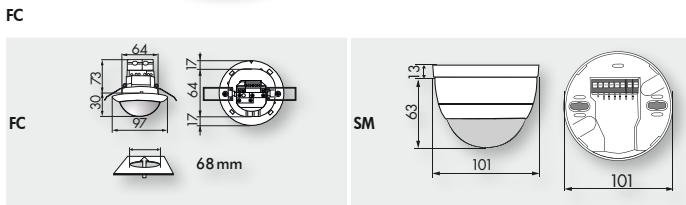
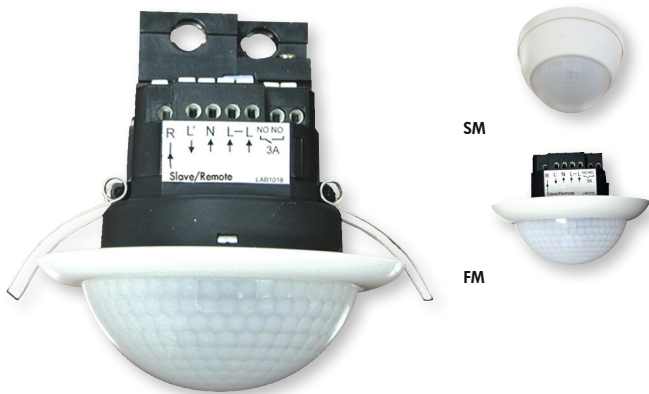


PD4-M-2C-SM/-FC/-FM

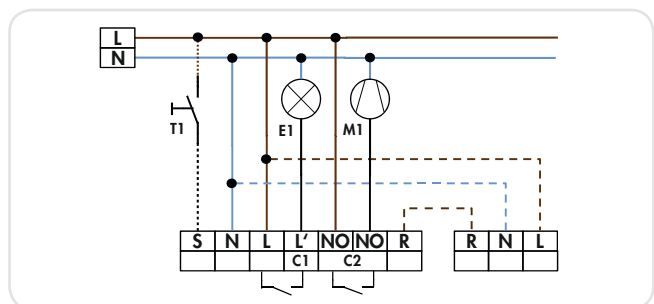
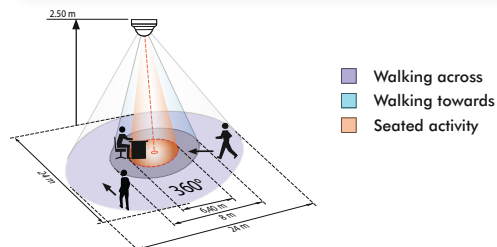


PRODUCT INFORMATION

- Occupancy detector with extended detection area
- One switching channel for operating the light
- One potential-free contact for HVAC
- Installation as Master
- Detection area can be extended with Slave units
- Push button manual switching available
- Alarm pulse: protected triggering only if there are three movements recognised within 9 seconds
- Additional functions can be set via optional remote control

TECHNICAL DATA

- 110-240 V AC , 50 / 60 Hz
- 360°
- Ø 24 m across
- Ø 8 m towards
- Ø 6.4 m seated
- IP SM= IP54 FC= IP20 FM= IP20 / Class II
- 25 °C to +50 °C
- Housing UV- and shock resistant polycarbonate
- IR-PD-2C, IR-PD-Mini
- Channel 1 (control the lighting)**
- 2300 W, cos = 1
- 1150 VA, cos = 0.5
- 15 s - 30 min or pulse
- 10 - 2000 Lux
- Channel 2 (control HVAC potential free)**
- Dry contact type NO 3A, 230 V, cos = 1
- Alarm pulse, pulse or 5 - 120 min



Description	Colour	Part number
PD4-M-2C-FC	white	92148
PD4-M-2C-SM	white	92140
PD4-M-2C-FM	white	92255
Accessory (optional)		
IR-PD-2C	grey	92475
IR-PD-Mini	grey	92159
Wire basket BSK (Ø 200 x 100)	white	92199
SM-Socket for SM-devices	white	92376