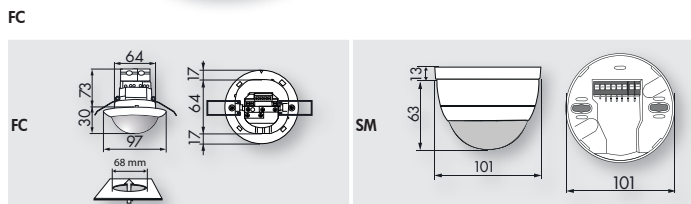


## PD4-M-1C-C-SM/-FC



SM



FC

FC

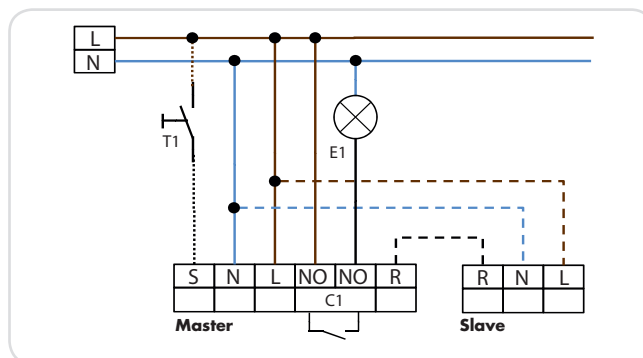
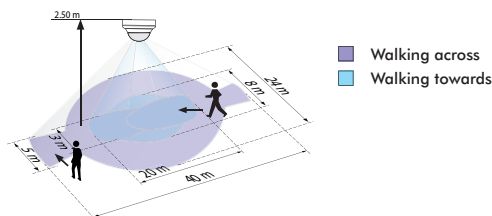
SM

### PRODUCT INFORMATION

- Occupancy detector designed for corridors
- One potential-free contact
- Installation as Master
- One switching channel for operating the light
- Detection area can be extended with Slave units
- Push button manual switching available
- Additional functions can be set via optional remote control

### TECHNICAL DATA

- 110-240 V AC , 50 / 60 Hz
- 360°
- Ø 40 m across  
Ø 20 m towards
- Mandatory mounting height  
2.4 m - 2.6 m
- IP SM= IP54 FC= IP20 / Class II
- 25 °C to +50 °C
- Housing UV- and shock resistant polycarbonate
- IR-PD-1C, IR-PD-Mini
- Channel 1**  
**(control the lighting potential free)**
- 2300 W,  $\cos \varphi = 1$   
1150 VA,  $\cos \varphi = 0.5$
- 15 s - 30 min or pulse
- 10 - 2000 Lux



Description	Colour	Part number
PD4-M-1C-C-FC	white	92586
PD4-M-1C-C-SM	white	92587
<b>Accessory (optional)</b>		
IR-PD-1C	grey	92520
IR-PD-Mini	grey	92159
Wire basket BSK (Ø 200 x 100)	white	92199
SM-Socket for SM-devices	white	92376