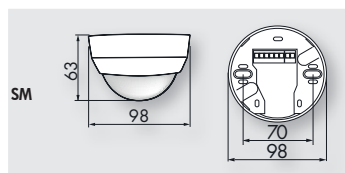


PD4-M-1C-GH-SM



SM



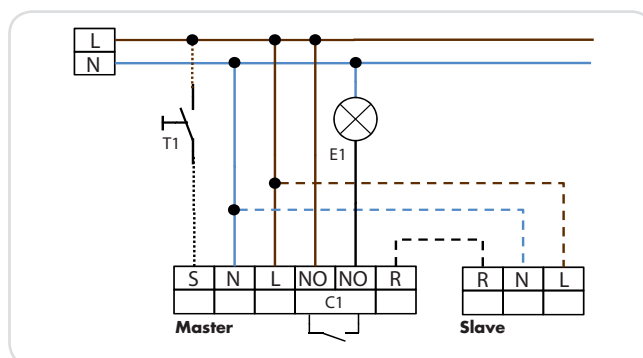
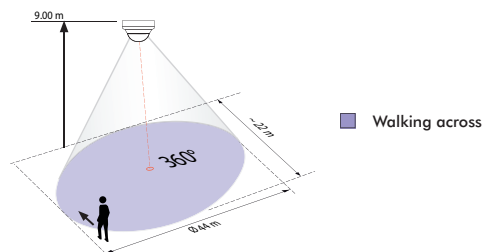
SM

i PRODUCT INFORMATION

- Occupancy detector designed for high-bay warehouses
- One potential-free contact
- Installation as Master
- One switching channel for operating the light
- Detection area can be extended with Slave units
- Simple operation with remote control (required)
- Push button manual switching available

■ TECHNICAL DATA

- 110-240 V AC , 50 / 60 Hz
- oval 360°
- Ø 44 m towards
- SM= IP20 / Class II
- 25 °C to +50 °C
- Housing UV- and shock resistant polycarbonate
- IR-PD-Mini, IR-PD-GH-LD
- Channel 1**
(control the lighting potential free)
- 2300 W, cos φ = 1
1150 VA, cos φ = 0.5
- 15 s - 30 min or pulse
- 10 - 2000 Lux



Description	Colour	Part number
PD4-M-1C-GH-SM	white	92245
Accessory (optional)		
IR-PD-LD (necessary)	grey	92479
IR-PD-Mini	grey	92159
Wire basket BSK (Ø 200 x 100)	white	92199
Socket IP54 for PD2- and PD4-SM	white	92161
Socket IP65 for PD4-AP	white	92375