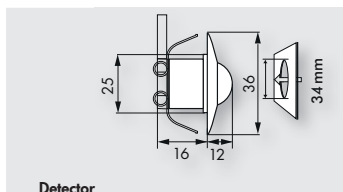


PD9-M-DIM-FC



„Size comparison“



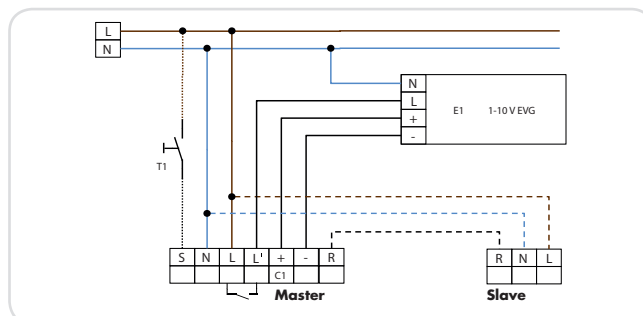
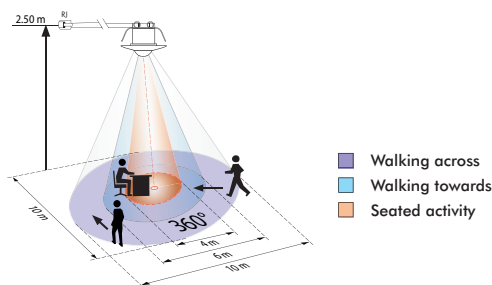
Detector

i PRODUCT INFORMATION

- Mini occupancy detector for daylight-dependent lighting control
- 1-10 V interface for control of dimmable electronic ballast
- Push button manual switching and dimming available
- Simple operation with remote control (required)
- Power unit passes through hole in ceiling for sensor
- Detection area can be extended with Slave units
- Includes 45mm cover ring and blinds

■ TECHNICAL DATA

- ⚡ 110-240 V AC , 50 / 60 Hz
- ⏻ ca. 0.5W
- ☂ 360°
- ⊘ 10 m across
- ⊘ 6 m towards
- ⊘ 4 m seated
- IP IP20 / Class II
- 🌡 -25 °C to +50 °C
- 🛡 Housing UV- and shock resistant polycarbonate
- 📏 45 cm (screened)
- 📶 IR-PDim, IR-PD-DIM-Mini
- Channel 1 (control the lighting)**
- ⚡ 2300 W, $\cos \varphi = 1$
- ⚡ 1150 VA, $\cos \varphi = 0.5$
- 🕒 1 - 30 min
- 🌞 10 - 2000 Lux
- 📶 1-10 V DC, max. 50 EB's



Description	Colour	Part number
PD9-M-DIM-FC	white	92910
Accessory (optional)		
IR-PDim (necessary)	grey	92200
IR-PD-DIM-Mini	grey	92098
Cover ring for PD9 (Ø 36 mm)	white/ silver/ anthracite	92238/ 92237/ 92235
Cover ring for PD9 (Ø 45 mm)	white/ silver	92327/ 92346