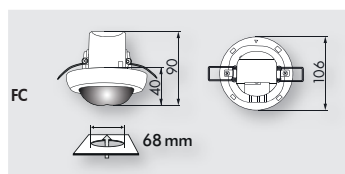


PD1N-M-DIM-SM/-FC/-FM

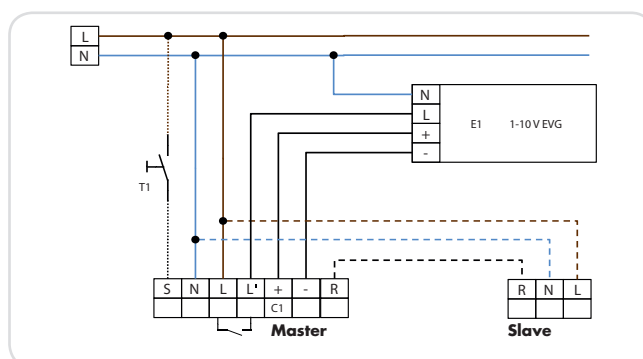
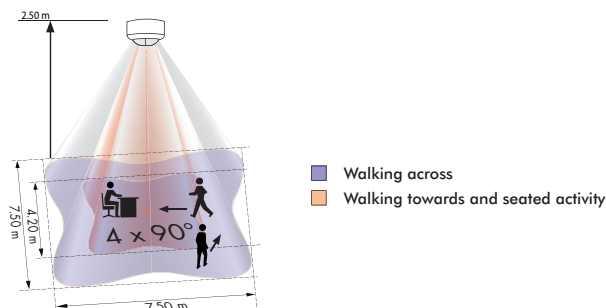


i PRODUCT INFORMATION

- Occupancy detector with approximately square detection area for daylight-dependent lighting control
- 1-10 V interface for control of dimmable electronic ballast
- One Channel for light dimming and switching
- Push button manual switching and dimming available
- Installation as Master
- Detection area can be extended with Slave units
- Additional functions can be set via optional remote control

■ TECHNICAL DATA

- ⚡ 110-240 V AC , 50 / 60 Hz
- ⏻ ca. 0.6W
- ☂️ nearly square size 4 x 90°
 \varnothing 7,5 m x 7,5 m across
 \varnothing 4,5 m x 4,5 m towards
 \varnothing 4,2 m x 4,2 m seated
- IP IP20 / Class II
- 🌡️ -25 °C to +50 °C
- 🛡️ Housing UV- and shock resistant polycarbonate
- 📡 IR-PDim, IR-PD-DIM-Mini
- Channel 1 (control the lighting)**
- ⚡ 2300 W, $\cos \varphi = 1$
1150 VA, $\cos \varphi = 0.5$
- 🕒 1 - 30 min
- 🌙 10 - 2000 Lux
- 🔌 1-10V 1-10 V DC, max. 50 EB's



Description	Colour	Part number
PD1N-M-DIM-FC	white	92876
Accessory (optional)		
IR-PDim	grey	92200
IR-PD-DIM-Mini	grey	92098
Wire basket BSK (Ø 200 x 100)	white	92199