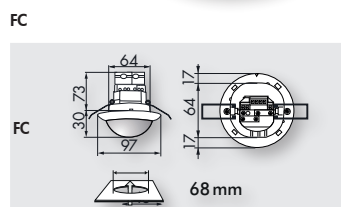


PD4-M-DALI/DSI-HVAC-FC

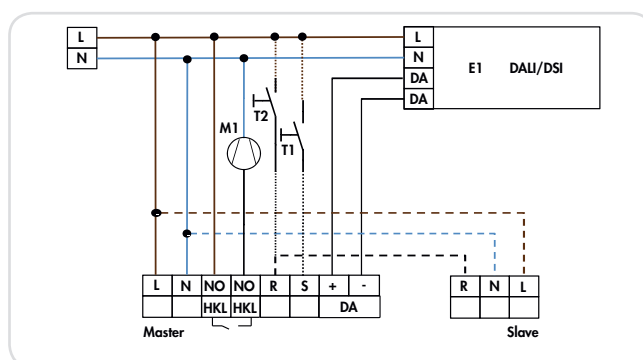
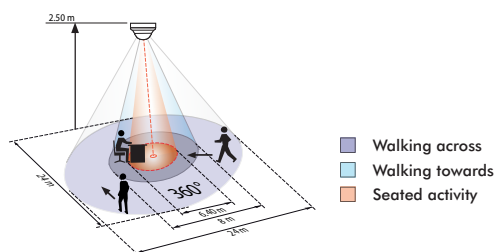


PRODUCT INFORMATION

- Occupancy detector with extended detection area, daylight-dependent lighting control
- DALI/DSI interface for control of digital dimmable electronic ballasts as a group
- Can be switched between DALI and DSI modes with remote control and Dip switches.
- One potential-free contact for HVAC
- Installation as Master
- Detection area can be extended with Slave units
- Push button manual switching and dimming available
- Additional functions can be set via optional remote control

TECHNICAL DATA

- 110-240 V AC , 50 / 60 Hz
- 360°
- IP FC= IP20 / Class II
- 25 °C to +50 °C
- Housing UV- and shock resistant polycarbonate
- IR-PD-DALI-1C, IR-PD-DALI-Mini
- Channel 1 (control the lighting)**
- max. 50 DALI/DSI EB's
- 1 - 30 min
- 10 - 2000 Lux
- Channel 2 (control HVAC)**
- 2300 W, $\cos \varphi = 1$
1150 VA, $\cos \varphi = 0.5$
- Alarm pulse, pulse or 5 - 120 min



Description	Colour	Part number
PD4-M-DALI/DSI-HVAC-FC	white	92699
Accessory (optional)		
IR-PD-DALI-1C	grey	92116
IR-PD-DALI-Mini	grey	92112
Wire basket BSK (Ø 200 x 100)	white	92199