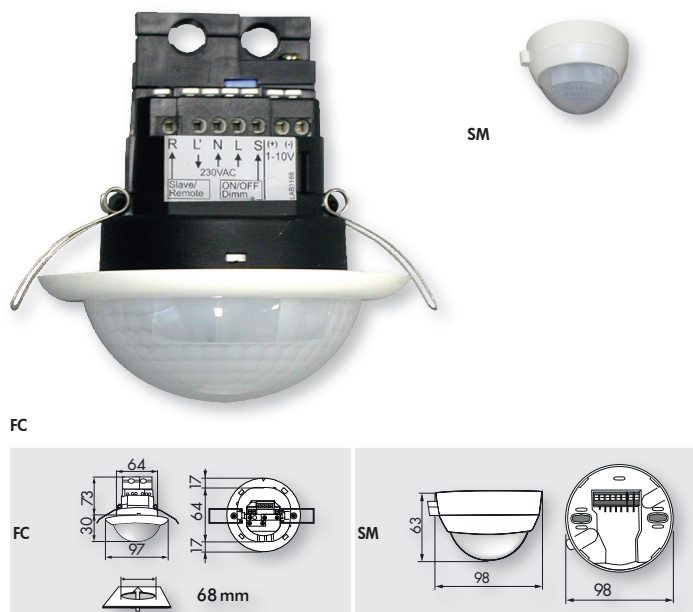


PD4-M-DALI/DSI-C-SM/-FC

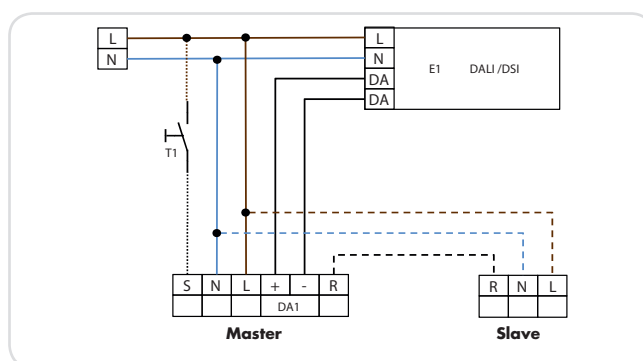
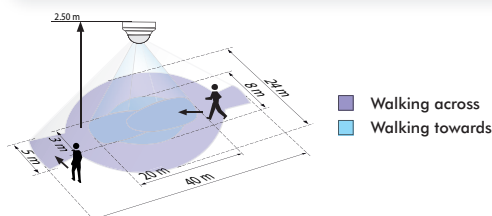


■ TECHNICAL DATA

- 110-240 V AC , 50 / 60 Hz
- 0.9W
- 360°
- Ø 24 m across
Ø 8 m towards
Ø 6,4 m seated
- Mandatory mounting height 2.4 m - 2.6 m
- SM= IP20 FC= IP20 / Class II
- 25 °C to +50 °C
- Housing UV- and shock resistant polycarbonate
- IR-PD-DALI, IR-PD-DALI-Mini
- Channel 1 (control the lighting)**
- max. 50 DALI/DSI EB
- 1 - 30 min
- 10 - 2000 Lux

PRODUCT INFORMATION

- Occupancy detector designed for corridors, daylight-dependent lighting control
- DALI/DSI interface for control of digital dimmable electronic ballasts as a group
- Can be switched between DALI and DSI modes with remote control and Dip switches.
- Installation as Master
- Detection area can be extended with Slave units
- Push button manual switching and dimming available
- Additional functions can be set via optional remote control



Description	Colour	Part number
PD4-M-DALI/DSI-C-FC	white	92328
PD4-M-DALI/DSI-C-SM	white	92530
Accessory (optional)		
IR-PD-DALI	grey	92094
IR-PD-DALI-Mini	grey	92112
Wall bracket for PD4-SM	white	92441
Wire basket BSK (Ø 200 x 100)	white	92199
Socket IP54 for PD2- and PD4-SM	white	92161