



LUXOMAT®

PD2N-M-1C-LED-FC

Description	Colour	Part number	EAN Code
PD2N-M-1C-LED-FC	white	94055	4007529940554



FC

Accessory (optional)	Colour	Part number	EAN Code
IR-Adapter for Smartphones	black	92726	4007529927265
RC-Arc extinction kit	white	10880	4007529108800
Mini-RC-Arc extinction kit	black	10882	4007529108824

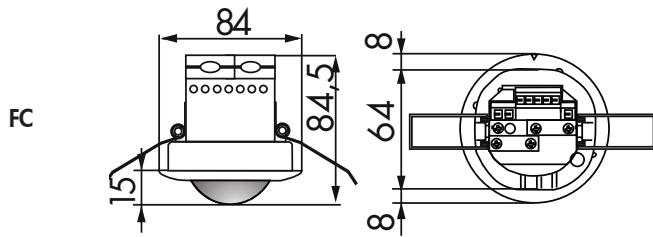
■ TECHNICAL

Voltage:	110 - 240 V AC 50 / 60 Hz
Power consumption:	Sensor approx. 0.3 W / approx. 2 W with LED lighting
Detection area:	360°
Recommended mounting height:	2.5 m
Range:	max. Ø 10 m across max. Ø 6 m towards max. Ø 4 m smaller movements
Degree / class of protection:	IP20 / Class II
Operation mode:	Half automatic, Semi-automatic mode, Slave mode, Fully automatic, Fully automatic with Corridor
Ambient temperature:	-20 °C to +40 °C
Housing:	PC, with sensor, power supply and LED light
Remote control-capable:	IR-Adapter for Smartphones (just Samsung or iPhone), IR-PD-Mini
Switching power:	Channel 1 (lighting control, potential-free (dry)) 2300 W, $\cos \varphi = 1$ 1150 VA, $\cos \varphi = 0,5$ max. inrush current I_p (20ms) = 165 A
Type of contact:	μ -contact, dry NO contact with tungsten pre-make contact
Follow-up time:	10 s - 18 h
Orientation light:	20 % - 100 % / OFF / 10 s - 18 h
Night light:	20 % - 100 % / OFF / 10 s - 18 h / ∞
Switch-on threshold:	10 - 2000 Lux

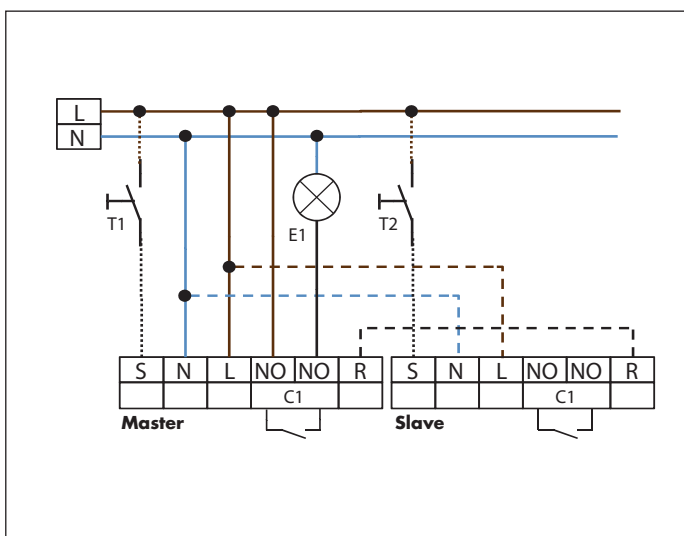
i PRODUCT INFORMATION

- Remote control-capable occupancy detector for inside use with circular detection area
- Integrated LED lighting as separately adjustable orientation- and nightlight
- One channel for light switching
- Many adjustment options via B.E.G. Smartphone-App
- Extension of the detection range possible by using up to 5 other PD2N-M-1C-LED
- Can be used as either Master device or Slave device

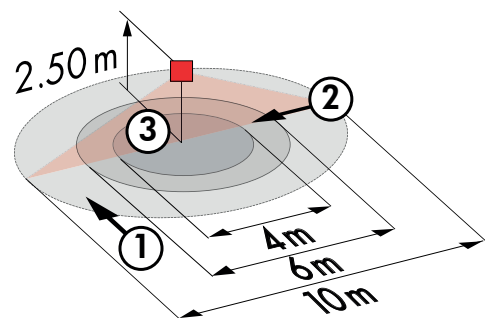
DIMENSIONS



WIRING DIAGRAM



RANGE DIAGRAM



- ① Walking across
- ② Walking towards
- ③ Smaller movements