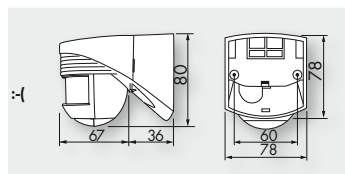


LC-Click-N 140



white

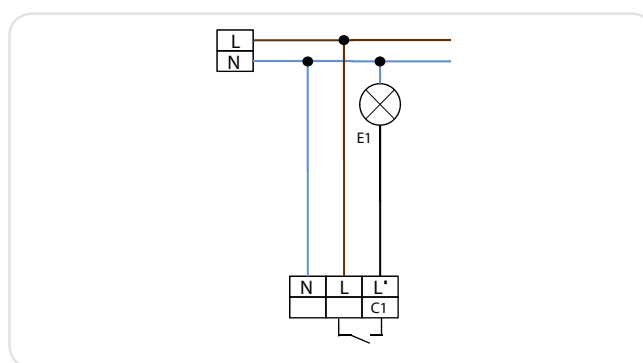
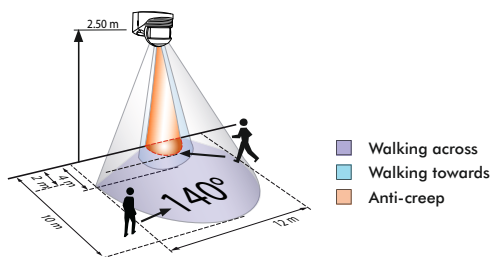


i PRODUCT INFORMATION

- Motion detector with 140° detection area and 180° creep zone
- Can be mounted on standard flush-mount boxes
- Adjustable ball head
- Detection area can be restricted with blinds
- Simple socket mounting

■ TECHNICAL DATA

- ~ 110-240 V AC , 50 / 60 Hz
- ☂ 140°
- ☞ max. 12 m when walking across (tangential)
- IP □ IP54 / Class II
- 🌡 -25 °C to +50 °C
- 📦 Housing UV- and shock resistant polycarbonate
- Channel 1 (control the lighting)**
- ⚡ 2000 W, $\cos \varphi = 1$
500 VA, $\cos \varphi = 0.5$
- 🕒 4 s - 20 min
- 🌙☀ 2 - 2000 Lux



Description	Colour	Part number
LC-Click-N 140	white	91001
LC-Click-N 140	brown	91011
LC-Click-N 140	black	91021
Accessory (optional)		
Wire basket BSK (Ø 164 x 143)	white	92467