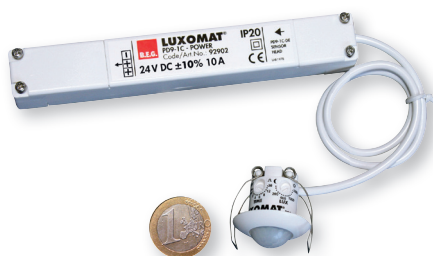
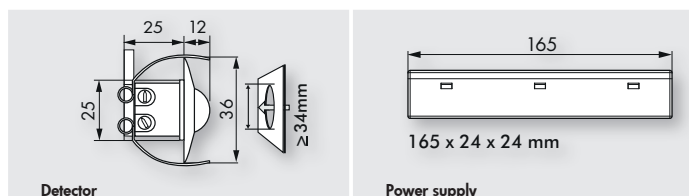


PD9-1C-FC



Size comparison

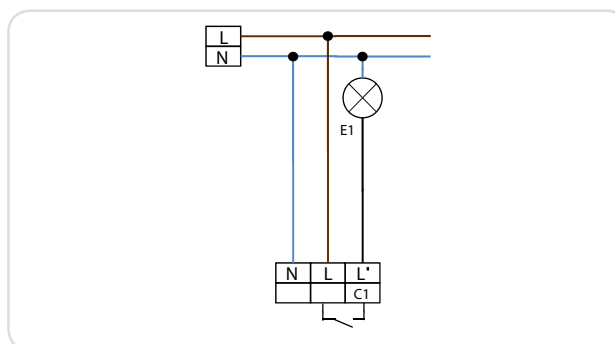
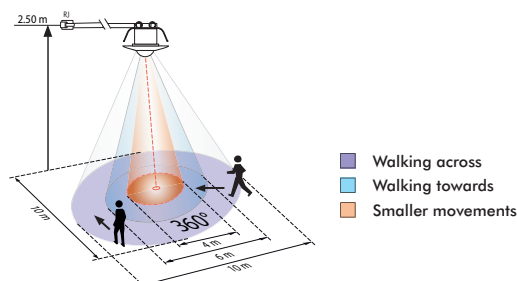


i PRODUCT INFORMATION

- Mini-motion detector for indoor use
- One switching channel for operating the light
- Easy installation on unit
- Power unit passes through hole in ceiling for sensor
- Spring clips for quick and easy installation in suspended ceilings and light fittings
- Includes 45mm cover ring and blinds

■ TECHNICAL DATA

- ⚡ 110-240 V AC , 50 / 60 Hz
- ⏻ ca. 0.4W
- ☂ 360°
- ⊘ 10 m across
- ⊘ 6 m towards
- ⊘ 4 m small movements
- IP IP20 / Class II
- 🌡 -25 °C to +50 °C
- 🛡 Housing UV- and shock resistant polycarbonate
- 📏 45 cm (screened)
- Channel 1 (control the lighting)**
- 💡 1000 W, $\cos \varphi = 1$
- ⚡ 500 VA, $\cos \varphi = 0.5$
- 🕒 30 s - 30 min or pulse
- 🌙☀ 10 - 2000 Lux



Description	Colour	Part number
PD9-1C-FC	white	92902
PD9-1C-FC	silver	92903
Accessory (optional)		
Cover ring for PD9 (Ø 36 mm)	white/ silver/ anthracite	92238/ 92237/ 92235
Cover ring for PD9 (Ø 45 mm)	white/ silver	92327/ 92346