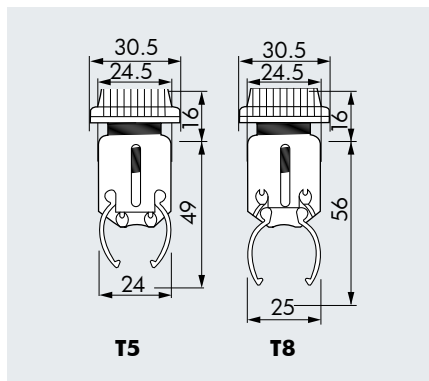


LUXOMAT® MiniClip LR1



For T5- and T8 fluorescent lamps

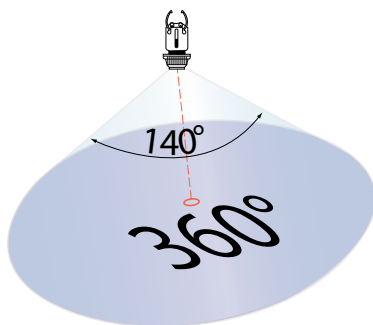


■ TECHNICAL DATA

- 230V~ ±10%
- 140°
- IP20 / II / Cc
- Ø 30.5 x L 72 mm (incl. clips) for installation on T8 fluorescent lamps
- 0°C to +50°C
- made of high-quality and UV-resistant polycarbonate
- Channel 1 (light control)**
- 400 - 1500 Lux
- 1-10VDC, max. 50 electronic ballasts

■ PRODUCT INFORMATION

- LUXOMAT® MiniClip LR1 light sensor with mixed light measurement for constant light control, to be clipped on to the T5 and T8 fluorescent lamps
- It provides a direct current ranging from around 1 to 10VDC proportionate to the measured light value which is used to govern electronically controllable electronic ballasts.
- Continuous dimming is used to implement **constant light control** for room lights that adapt to the amount of daylight.
- The light value to be kept constant in the room may be set by turning the knurled sensor cap.
- **Application examples:** offices, conference rooms, corridors, training facilities



- ▶ Up to 50 electronic ballasts can be connected
- ▶ If the amount of daylight falls, the proportion of artificial light will be increased; if the amount of daylight increases again, the proportion of artificial light will be reduced again.
- ▶ This helps achieve considerable energy savings of up to 50%.

Description	Colour	Part number
Mini-Clip LR1	white	92320