

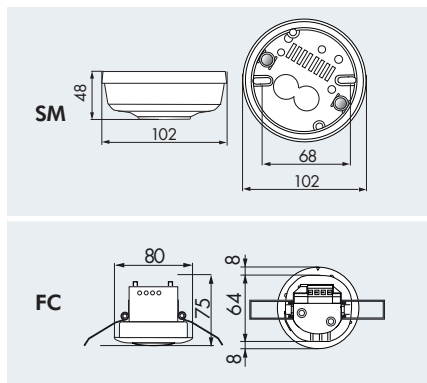
LUXOMAT® CdS-DALI/DSI-SM/FC



SM



FC



■ TECHNICAL DATA

- 230V~ ±10%
- IP20 / Class II / Cc
- SM** Ø 102 x H 48 mm
FC Ø 80 x H 75 mm
- 25°C to +50°C
- Housing UV- and shockresistant polycarbonate
- IR-CdS
- Channel 1 (Control the lighting)**
- 2300 W, cosφ = 1
1150 VA, cosφ = 0,5 μ-Contact
- On and off delay:**
1 - 30 Min.
- 0 - 2000 Lux
- DALI Output:**
- max. 50 EB

i PRODUCT INFORMATION

- Remote controllable photocells **LUXOMAT® CdS-DALI/DSI** with an additional DALI/DSI-interface
- Surface- and ceiling mounted version
- DALI-output: digital BUS control wire, no polarity for up to 50 DALI-EB (broadcast only)
- Infrared remote control **LUXOMAT® IR-CdS** inter alia to dim the lights to the desired brightness value, read the current light value by pressing a key or setting the delay time
- **Application examples:** ideal for entrance areas, staircases, halls where permanent light is required

■ ACCESSORY

IR-CdS



Wire basket



Socket IP54



Description	Colour	Part number
CdS-DALI/DSI-SM	white	92563
CdS-DALI/DSI-FC	white	92562
Accessory (optional)		
LUXOMAT® IR-CdS (incl. Wall bracket)	grey	92577
Weire Basket BSK	silver	92199
SM-Socket IP54	white	92161

