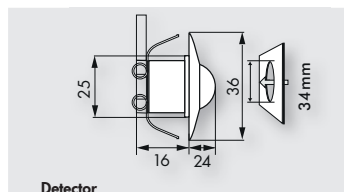


PD9-M-DALI/DSI-FC



'Size comparison'



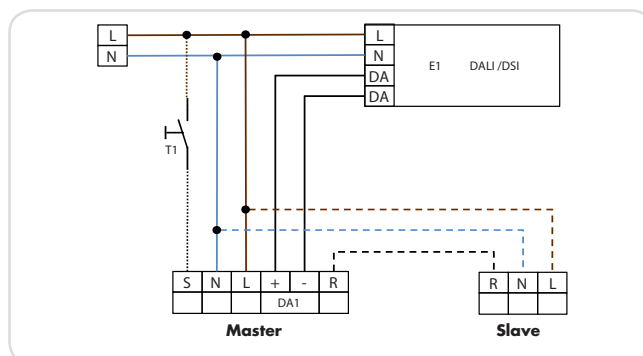
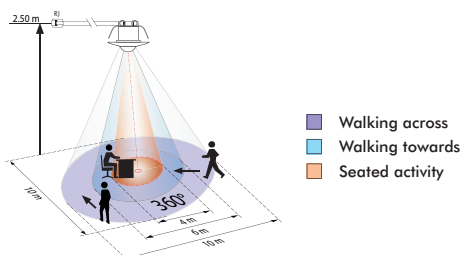
Detector

i PRODUCT INFORMATION

- Mini occupancy detector for daylight-dependent lighting control
- DALI/DSI interface for control of digital dimmable electronic ballasts
- Switch between DSI and DALI mode with IR-PD-DALI
- Push button manual switching and dimming available
- Detection area can be extended with Slave units
- Power unit passes through hole in ceiling for sensor
- Includes 45mm cover ring and blinds
- Simple operation with remote control (required)

■ TECHNICAL DATA

- ⚡ 110-240 V AC , 50 / 60 Hz
- ⏻ 0.80W
- ☂ 360°
- ⊘ 10 m across
- ⊘ 6 m towards
- ⊘ 4 m seated
- ⚠ Light control feasible up to 5 m
- IP IP20 / Class II
- 🌡 -25 °C to +50 °C
- 📦 Housing UV- and shock resistant polycarbonate
- 📏 45 cm (screened)
- 📡 IR-PD-DALI, IR-PD-DALI-Mini
- Channel 1 (control the lighting)**
- 📡 max. 50 DALI/DSI EB's
- 🕒 1 - 30 min
- 🌙☀ 10 - 2000 Lux



Description	Colour	Part number
PD9-M-DALI/DSI-FC	white	92920
Accessory (optional)		
IR-PD-DALI (necessary)	grey	92094
IR-PD-DALI-Mini	grey	92112
Cover ring for PD9 (Ø 36 mm)	white/ silver/ anthracite	92238/ 92237/ 92235
Cover ring for PD9 (Ø 45 mm)	white/ silver	92327/ 92346