

PD4-M-TRIO-DALI/DSI-SM/-FC

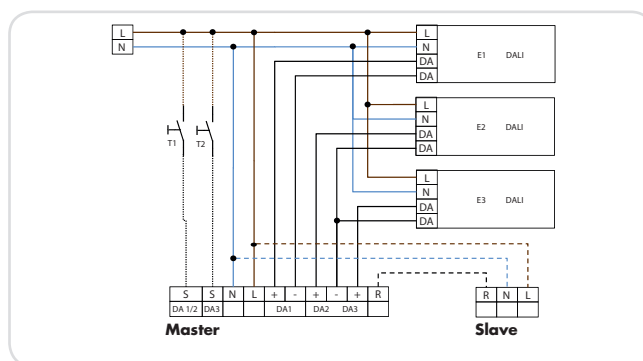
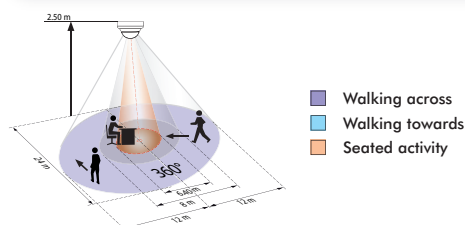


i PRODUCT INFORMATION

- Occupancy detector for two lighting groups, for daylight-dependent lighting control, with additional output
- DALI/DSI interface for control of digital dimmable electronic ballasts as a group
- One common detection area
- Can be switched between DALI and DSI modes with remote control and Dip switches.
- Control of up to 25 digital dimming electronic ballasts and control modules as a group per DALI output 1 and 2, and up to 10 for DALI output 3
- Installation as Master
- Detection area can be extended with Slave units
- Push button manual switching and dimming available
- Additional functions can be set via optional remote control

■ TECHNICAL DATA

- 110-240 V AC , 50 / 60 Hz
- ca. 2W
- 360°
- Ø 24 m across
- Ø 8 m towards
- Ø 6,4 m seated
- IP SM= IP20 FC= IP20 / Class II
- 25 °C to +50 °C
- Housing UV- and shock resistant polycarbonate
- IR-PD4-TRIO-DALI
- Channel 1 to Channel 2 (control the lighting)**
- max. 25 DALI/DSI-EVG each channel
- 1 - 60 min
- 10 - 2000 Lux
- Channel 3 (control the lighting)**
- max. 10 DALI/DSI EB



Description	Colour	Part number
PD4-M-TRIO-DALI/DSI-FC	white	92755
PD4-M-TRIO-DALI/DSI-SM	white	92750
Accessory (optional)		
IR-PD4-TRIO-DALI	grey	92104
Wire basket BSK (Ø 200 x 100)	white	92199
Wire basket BSK (Ø 164 x 143)	white	92467
Socket IP54 for PD4-TRIO-SM	white	92386