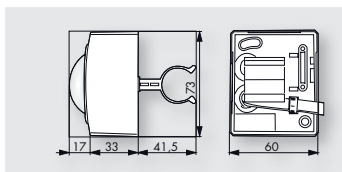


PD5-M-1C-Clip



Clip

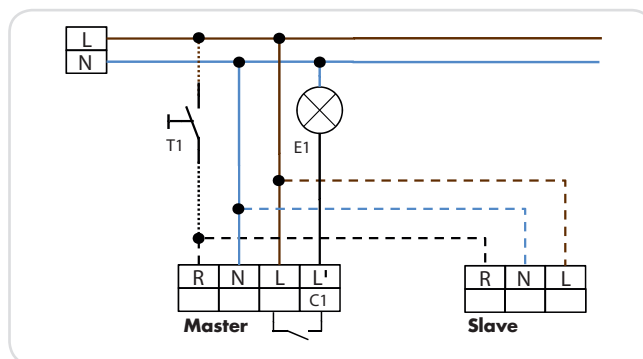
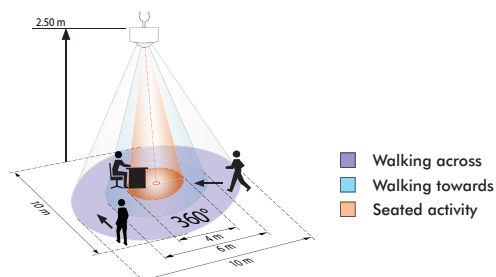


PRODUCT INFORMATION

- Occupancy detector for use with T5 and T8 fluorescent lamps
- Installation as Master
- One switching channel for operating the light
- Additional functions can be set via optional remote control
- Push button manual switching available
- Detection area can be extended with Slave units

■ TECHNICAL DATA

- 230 V AC +/- 10 %
- 360°
- Ø 10 m across
- Ø 6 m towards
- Ø 4 m seated
- IP20 / Class II
- 25 °C to +50 °C
- Housing UV- and shock resistant polycarbonate
- 100 cm
- IR-PD, IR-PD-Mini
- Channel 1 (control the lighting)**
- 2300 W, $\cos \varphi = 1$
- 1150 VA, $\cos \varphi = 0.5$
- 15 s - 30 min or pulse
- 10 - 2000 Lux



Description	Colour	Part number
PD5-M-1C-Clip	white	92315
Accessory (optional)		
IR-PD	grey	92160
IR-PD-Mini	grey	92159