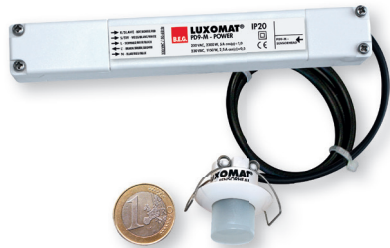
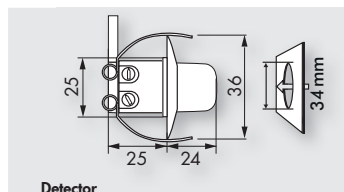


PD9-M-1C-GH-FC



'Size comparison'



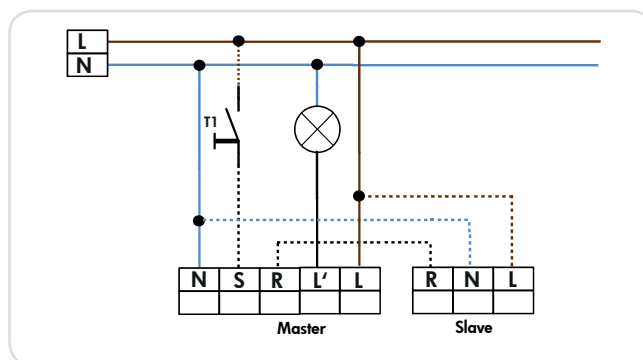
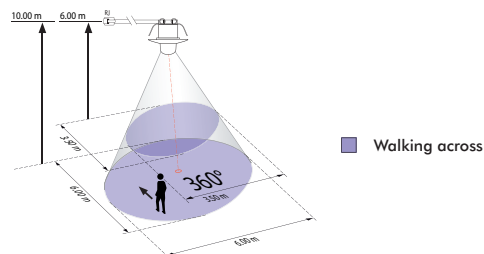
Detector

i PRODUCT INFORMATION

- Mini-occupancy detector, Master version, designed for high-bay warehouses
- Small sensor head with no dial
- One switching channel for operating the light
- Detection area can be extended with Slave units
- Push button manual switching available
- Power unit passes through hole in ceiling for sensor
- Simple operation with remote control (required)
- Spring clips for quick and easy installation in suspended ceilings and light fittings
- Includes 45mm cover ring and blinds

■ TECHNICAL DATA

- ⚡ 110-240 V AC , 50 / 60 Hz
- ⏻ ca. 0.5W
- 🌀 360°
- 📏 max. Ø 6 m
- 📦 IP20 / Class II
- 🌡️ -25 °C to +50
- 🛡️ Housing UV- and shock resistant polycarbonate
- 📏 45 cm (screened)
- 📡 IR-PD-Mini, IR-PD-1C
- Channel 1 (control the lighting)**
- 💡 2300 W, $\cos \varphi = 1$
1150 VA, $\cos \varphi = 0.5$
- 🕒 5 - 30 min or pulse
- 🌙☀️ 10 - 2000 Lux



Description	Colour	Part number
PD9-M-1C-GH-FC	white	92923
Accessory (optional)		
IR-PD-1C (necessary)	grey	92520
IR-PD-Mini	grey	92159
Cover ring for PD9 (Ø 36 mm)	white/ silver/ anthracite	92238/ 92237/ 92235
Cover ring for PD9 (Ø 45 mm)	white/ silver	92327/ 92346