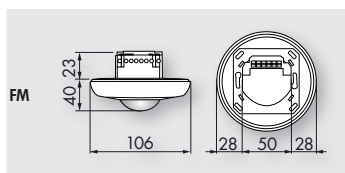
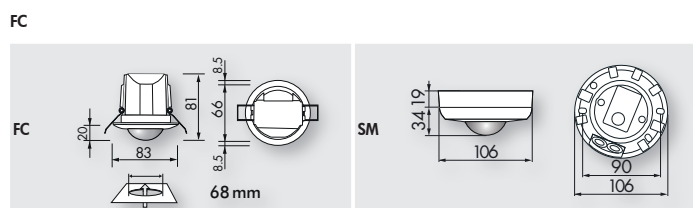
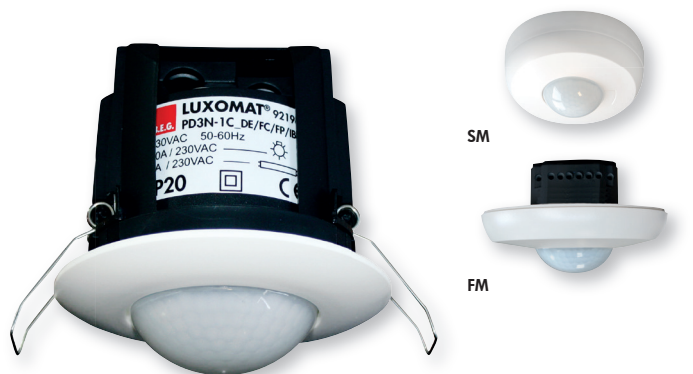


PD3N-1C-SM/-FM/-FC

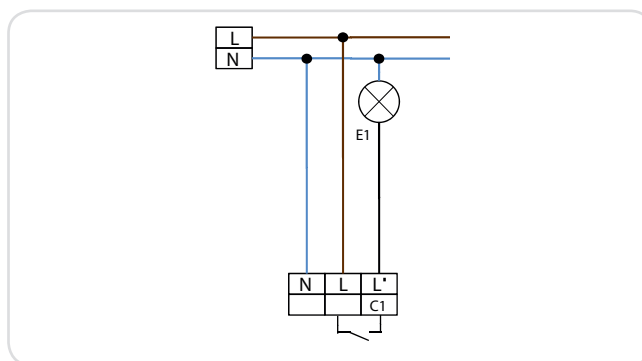
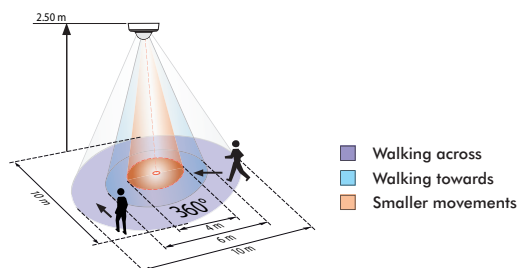


i PRODUCT INFORMATION

- Remote controlled ceiling motion detector
- One switching channel for operating the light
- Special optical system for detection of even the smallest movements
- Alarm pulse: protected triggering only if there are three movements recognised within 9 seconds

■ TECHNICAL DATA

- 110-240 V AC , 50 / 60 Hz
- ca. 0.5W
- 360°
- Ø 10 m across
- Ø 6 m towards
- Ø 4 m small movements
- IP SM= IP44 FC= IP23 FM= IP20 / Class II
- 25 °C to +50 °C
- Housing UV- and shock resistant polycarbonate
- IR-PD3N, IR-PD-Mini
- Channel 1 (control the lighting)**
- 2300 W, $\cos \varphi = 1$
- 1150 VA, $\cos \varphi = 0.5$
- 30 s - 30 min or pulse
- 10 - 2000 Lux



Description	Colour	Part number
PD3N-1C-FC	white	92196
PD3N-1C-SM	white	92190
PD3N-1C-FM	white	92186
Accessory (optional)		
IR-PD-Mini	grey	92159
IR-PD3N	grey	92105
Wire basket BSK (Ø 200 x 100)	white	92199