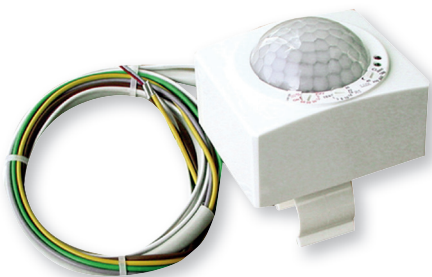
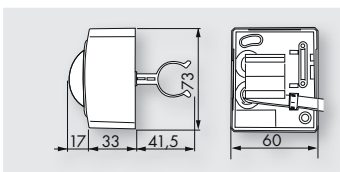


PD5-M-DIM-Clip



Clip

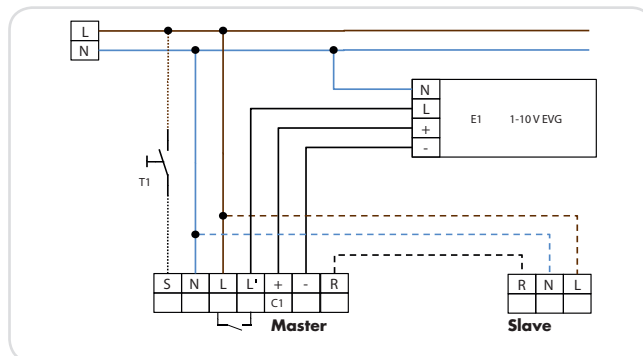
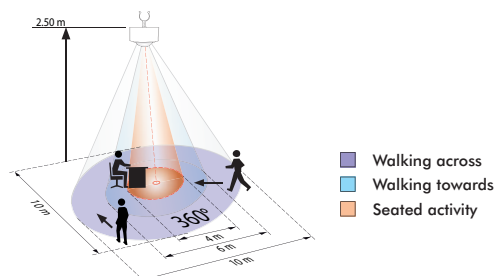


i PRODUCT INFORMATION

- Occupancy detector for use with T5 and T8 fluorescent lamps for daylight-dependent lighting control
- 1-10 V interface for control of dimmable electronic ballast
- One Channel for light dimming and switching
- Push button manual switching and dimming available
- Installation as Master
- Detection area can be extended with Slave units
- Additional functions can be set via optional remote control

■ TECHNICAL DATA

- ⚡ 230 V AC +/- 10 %
- ⏻ ca. 1.6W
- 🌀 360°
- ⊘ 10 m across
- ⊘ 6 m towards
- ⊘ 4 m seated
- 📏 IP20 / Class II
- 🌡️ -25 °C to +50 °C
- 📦 Housing UV- and shock resistant polycarbonate
- 📡 IR-PDim, IR-PD-DIM-Mini
- Channel 1 (control the lighting)**
- 💡 2300 W, $\cos \varphi = 1$
- ⚡ 1150 VA, $\cos \varphi = 0.5$
- 🕒 1 - 30 min
- 🌙 10 - 2000 Lux
- 📏 1-10 V



Description	Colour	Part number
PD5-M-DIM-Clip	white	92310
Accessory (optional)		
IR-PDim	grey	92200
IR-PD-DIM-Mini	grey	92098