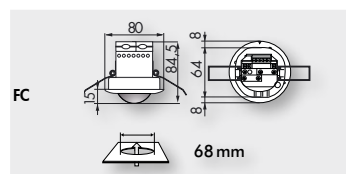


PD2-M-DALI/DSI-1C-FC



FC



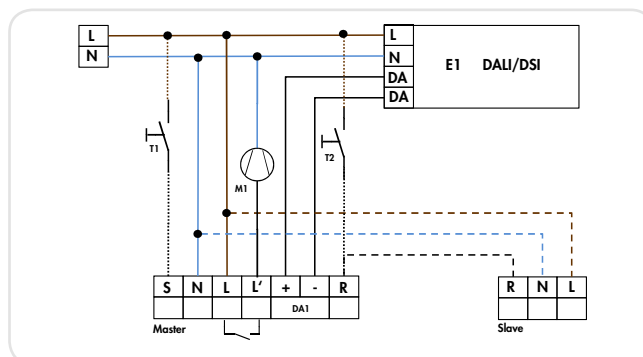
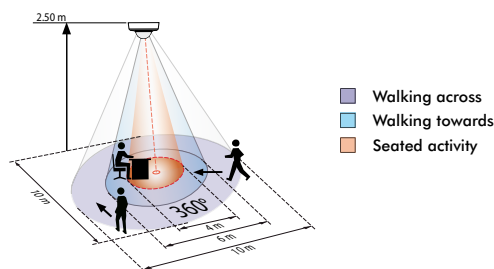
FC

i PRODUCT INFORMATION

- Occupancy detector for daylight-dependent lighting control
- DALI/DSI interface for control of digital dimmable electronic ballasts as a group
- One additional switching channel having innovative functions: totally switching off electronic ballasts when used for control of lighting or delay of the HVAC function when used for control of HVAC devices becomes possible
- Can be switched between DALI and DSI modes with remote control and Dip switches.
- Installation as Master
- Detection area can be extended with Slave units
- Push button manual switching and dimming available
- Additional functions can be set via optional remote control

■ TECHNICAL DATA

- ⚡ 110-240 V AC , 50 / 60 Hz
- ☂ 360°
- ⊘ 10 m across
- ⊘ 6 m towards
- ⊘ 4 m seated
- 📏 IP20 / Class II
- 🌡 -25 °C to +50 °C
- 📦 Housing UV- and shock resistant polycarbonate
- 📡 IR-PD-DALI-1C, IR-PD-DALI-Mini
- Channel 1 (control the lighting)**
- 📡 DALI max. 50 DALI/DSI EB's
- 🕒 1 - 30 min
- 🌙 10 - 2000 Lux
- Channel 2 (control the lighting) / (control HVAC)**
- ⚡ 2300 W, $\cos \varphi = 1$
- ⚡ 1150 VA, $\cos \varphi = 0.5$
- 🕒 Alarm pulse, pulse or 5 - 120 min



Description	Colour	Part number
PD2-M-DALI/DSI-1C-FC	white	92486
Accessory (optional)		
IR-PD-DALI-1C	grey	92116
IR-PD-DALI-Mini	grey	92112
Wire basket BSK (⊘ 200 x 100)	white	92199